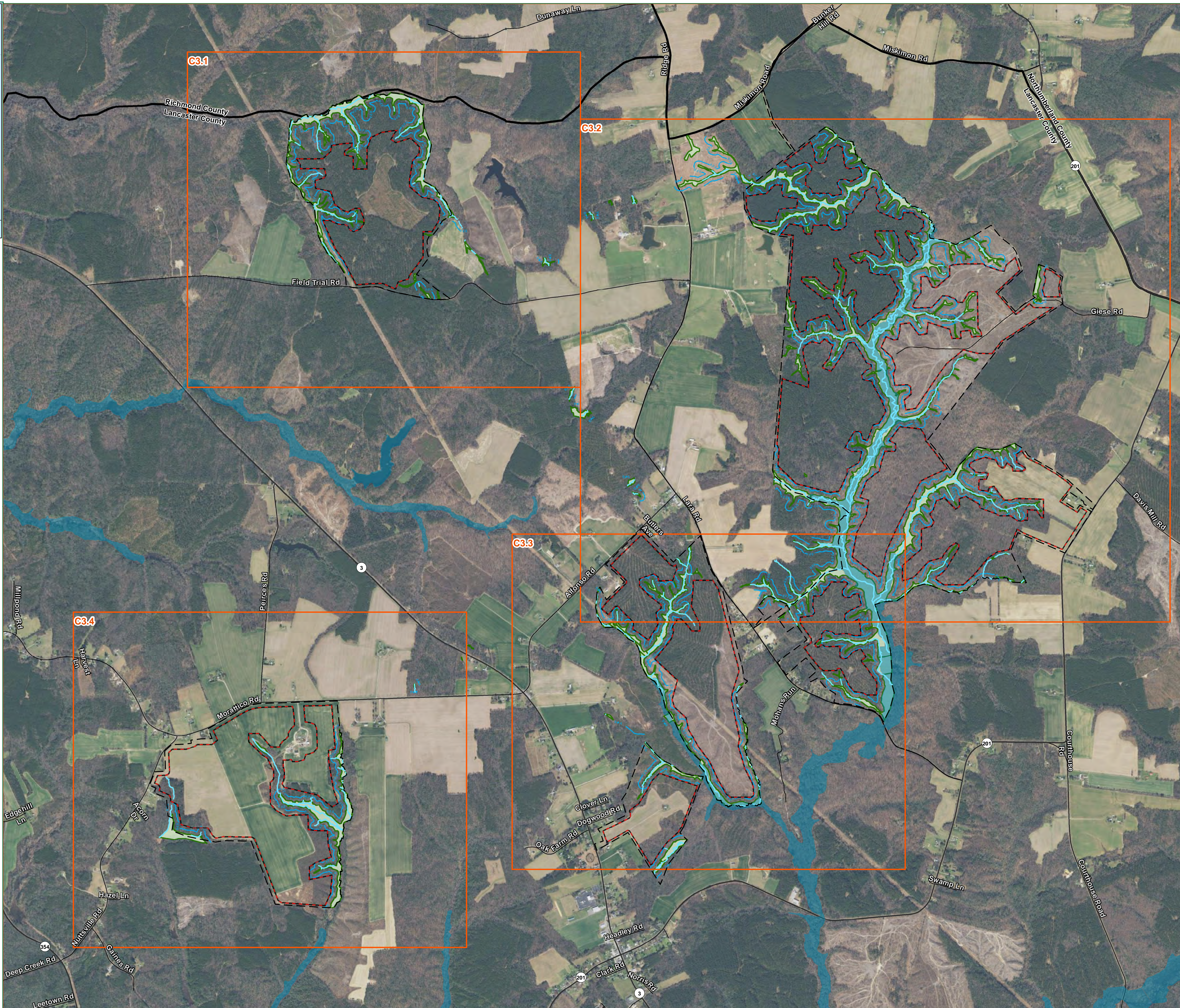




- Legend**
- Project Boundary (Maximum Extents) - 1,412 Acres
  - Parcel Boundary
  - Wetland
  - Floodplain
  - Stream
  - Resource Protection Area



PROJECT NAME & LOCATION

**WALLER SOLAR**  
LANCASTER COUNTY,  
VIRGINIA

DATE: 06/18/2021  
PROJECT NUMBER: 38786.008  
PROJECT NAME: WALLER SOLAR  
DESIGNED BY / DRAWN BY: L. WHEELER

NOTES  
Parcel Boundary has been ALTA surveyed.  
Site layout is for design purposes only. Not for construction.  
Wetlands, streams, and RPAs have been delineated by Timmons Group and have been confirmed by the ACOE under NAO-2021-00432.  
Floodplain data from FEMA's National Flood Hazard Layer.  
Aerial Imagery from VGIN.

These exhibits and associated documents are the exclusive property of TIMMONS GROUP and shall not be used for any purpose whatsoever, inclusive, but not limited to construction, bidding, and/or construction taking without the express written consent of

REVISIONS	
#	DESCRIPTION

DRAWING DESCRIPTION  
**ENVIRONMENTAL FEATURES MAP**

SCALE (FEET)

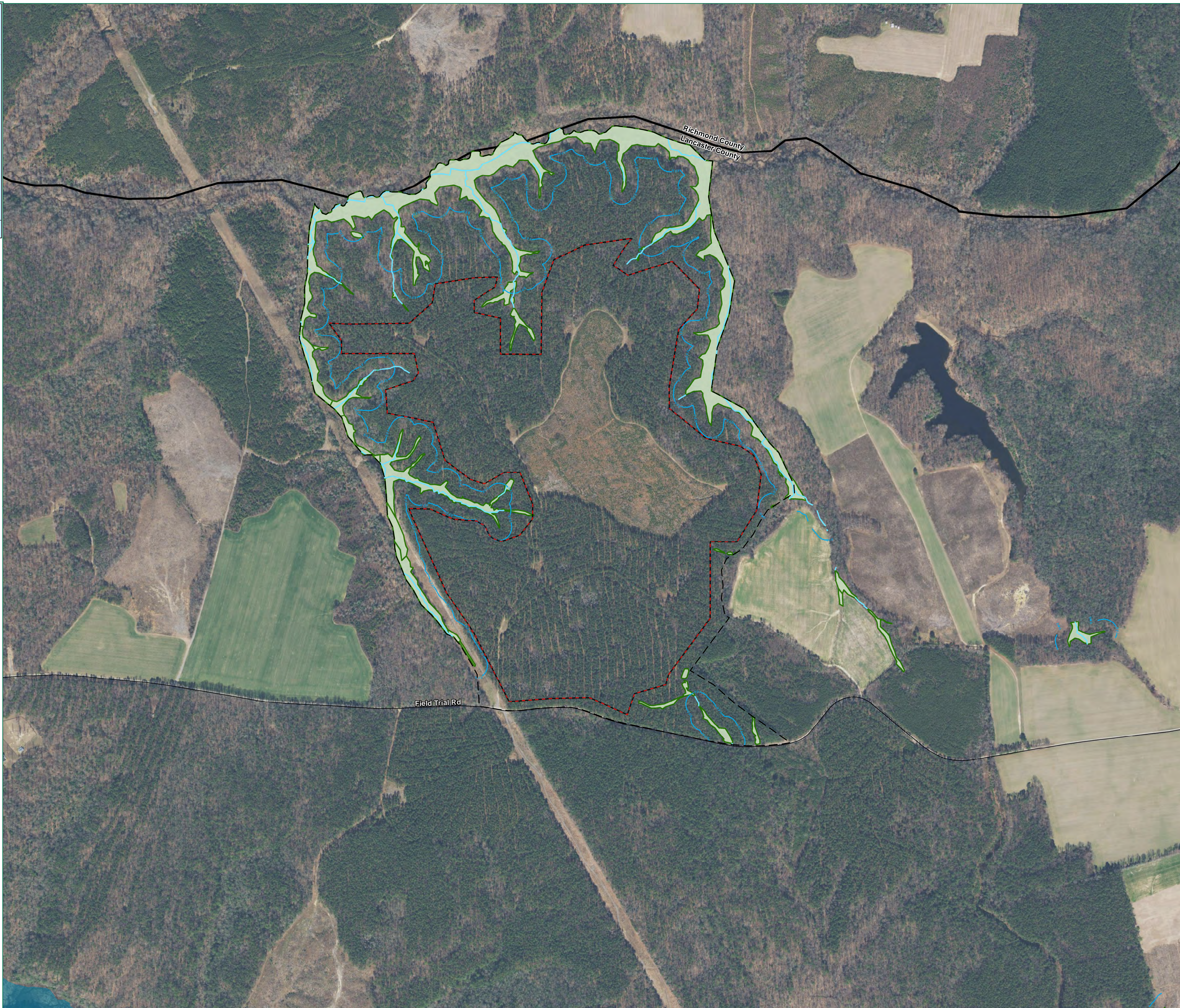
0 1,200 2,400

PLANS PRINTED AS 11X17 ARCH HALF SCALE  
SCALE SHEET NUMBER

H:1" = 1,200' C3.0



- Legend**
- Project Boundary (Maximum Extents) - 1,412 Acres
  - Parcel Boundary
  - Wetland
  - Floodplain
  - Stream
  - Resource Protection Area



**TIMMONS GROUP**  
 YOUR VISION ACHIEVED THROUGH OURS.  
 1001 Boulders Parkway, Suite 300  
 Richmond, VA 23225  
 TEL 804-200-6500  
 www.timmons.com

**OPEN ROAD**  
 RENEWABLES

PROJECT NAME & LOCATION  
**WALLER SOLAR**  
 LANCASTER COUNTY,  
 VIRGINIA

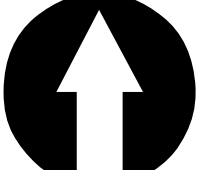
DATE: 06/18/2021  
 PROJECT NUMBER: 38786.008  
 PROJECT NAME: WALLER SOLAR  
 DESIGNED BY / DRAWN BY: L. WHEELER

**NOTES**  
 Parcel Boundary has been ALTA surveyed.  
 Site layout is for design purposes only. Not for construction.  
 Wetlands, streams, and RPAs have been delineated by Timmons Group and have been confirmed by the ACOE under NAO-2021-00432.  
 Floodplain data from FEMA's National Flood Hazard Layer.  
 Aerial Imagery from VGIN.

These exhibits and associated documents are the exclusive property of TIMMONS GROUP and shall not be used for any purpose whatsoever, inclusive, but not limited to construction, bidding, and/or construction taking without the express written consent of

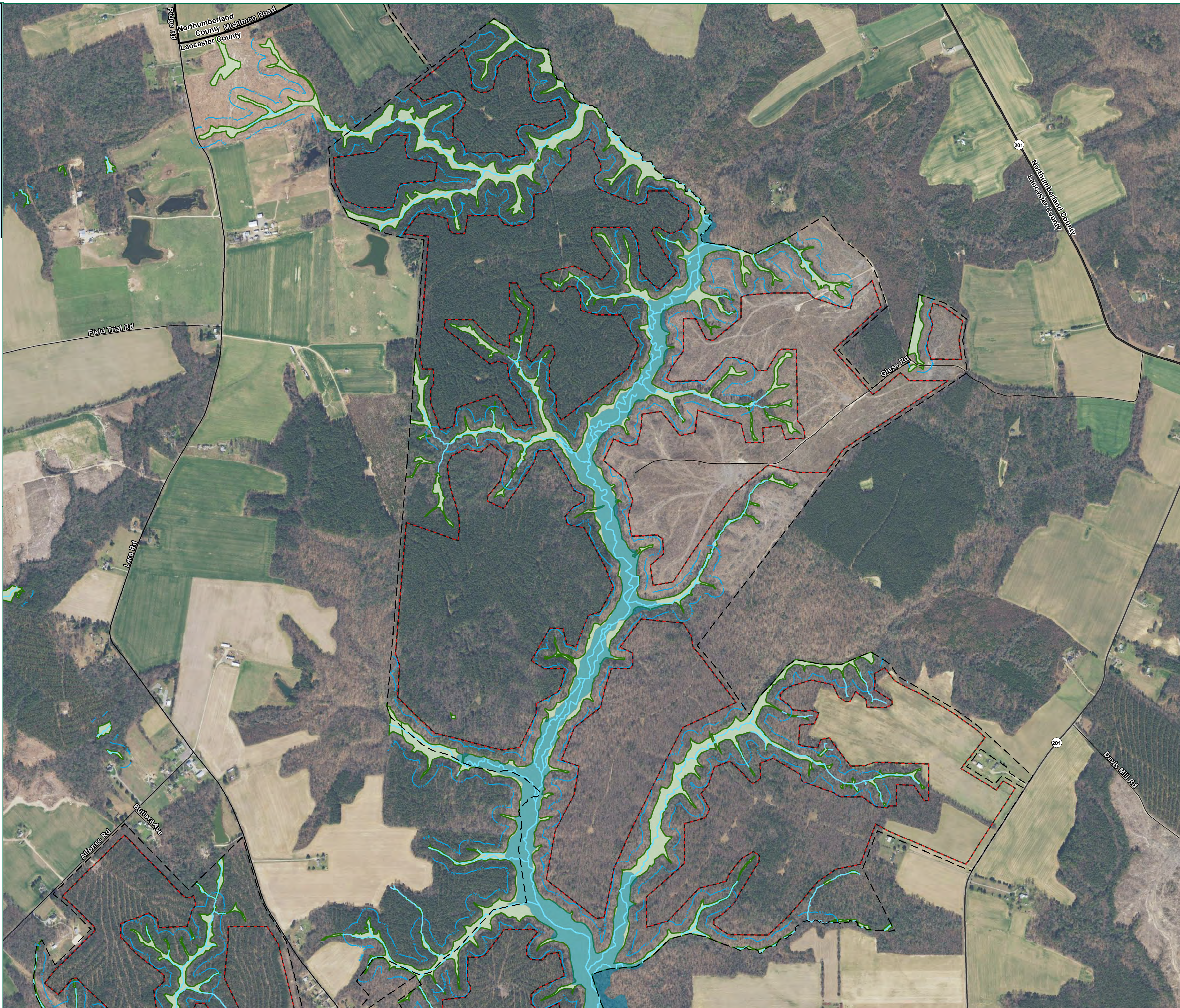
#	DATE	DESCRIPTION

DRAWING DESCRIPTION  
**ENVIRONMENTAL FEATURES MAP**

  
 SCALE (FEET)  
 0 400 800  
 PLANS PRINTED AS 11X17 ARE HALF SCALE  
 SCALE SHEET NUMBER  
 H:1" = 400' C3.1



- Legend**
- Project Boundary (Maximum Extents) - 1,412 Acres
  - Parcel Boundary
  - Wetland
  - Floodplain
  - Stream
  - Resource Protection Area



**TIMMONS GROUP**  
 YOUR VISION ACHIEVED THROUGH OURS.  
 1001 Boulders Parkway, Suite 300  
 Richmond, VA 23225  
 TEL 804-200-6500  
 www.timmons.com



PROJECT NAME & LOCATION  
**WALLER SOLAR,**  
 LANCASTER COUNTY,  
 VIRGINIA

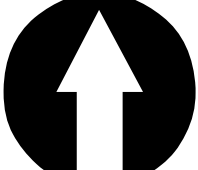
DATE: 06/18/2021  
 PROJECT NUMBER: 38786.008  
 PROJECT NAME: WALLER SOLAR  
 DESIGNED BY / DRAWN BY: L. WHEELER

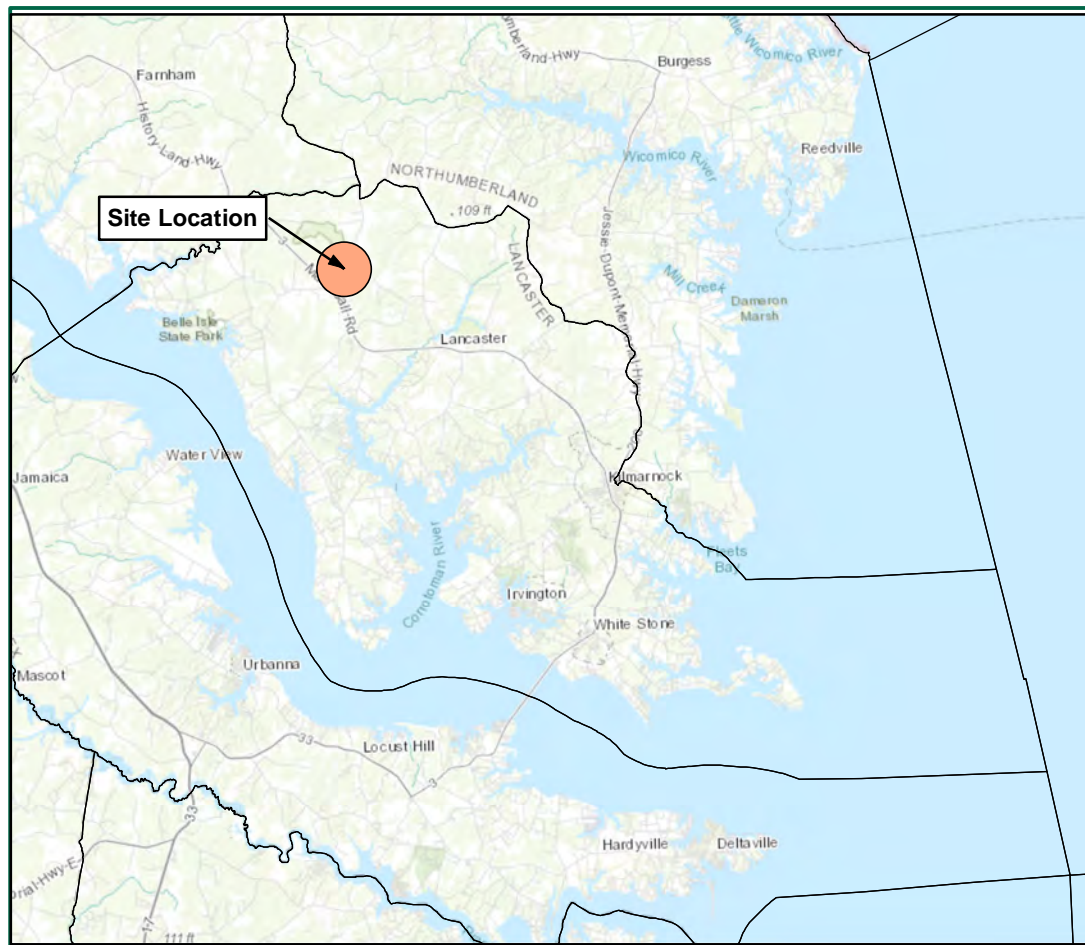
**NOTES**  
 Parcel Boundary has been ALTA surveyed.  
 Site layout is for design purposes only. Not for construction.  
 Wetlands, streams, and RPAs have been delineated by Timmons Group and have been confirmed by the ACOE under NAO-2021-00432.  
 Floodplain data from FEMA's National Flood Hazard Layer.  
 Aerial Imagery from VGIN.

These exhibits and associated documents are the exclusive property of TIMMONS GROUP and shall not be used for any purpose whatsoever, inclusive, but not limited to construction, bidding, and/or construction taking without the express written consent of

#	IMMODY	DESCRIPTION

DRAWING DESCRIPTION  
**ENVIRONMENTAL FEATURES MAP**

  
**SCALE (FEET)**  
 0 600 1,200  
PLANS PRINTED AS 11X17 ARE HALF SCALE  
 SCALE SHEET NUMBER  
 H:1" = 600' C3.2



- Legend**
- Project Boundary (Maximum Extents) - 1,412 Acres
  - Parcel Boundary
  - Wetland
  - Floodplain
  - Stream
  - Resource Protection Area



**TIMMONS GROUP**  
 YOUR VISION ACHIEVED THROUGH OURS.  
 1001 Boulder Parkway, Suite 300  
 Richmond, VA 23225  
 TEL 804.200.6500  
 www.timmons.com



PROJECT NAME & LOCATION  
**WALLER SOLAR**  
 LANCASTER COUNTY,  
 VIRGINIA

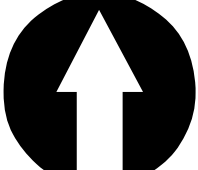
DATE: 06/18/2021  
 PROJECT NUMBER: 38786.008  
 PROJECT NAME: WALLER SOLAR  
 DESIGNED BY / DRAWN BY: L. WHEELER

**NOTES**  
 Parcel Boundary has been ALTA surveyed.  
 Site layout is for design purposes only. Not for construction.  
 Wetlands, streams, and RPAs have been delineated by Timmons Group and have been confirmed by the ACOE under NAO-2021-00432.  
 Floodplain data from FEMA's National Flood Hazard Layer.  
 Aerial Imagery from VGIN.

These exhibits and associated documents are the exclusive property of TIMMONS GROUP and shall not be used for any purpose whatsoever, inclusive, but not limited to construction, bidding, and/or construction taking without the express written consent of

#	IMDDYY	DESCRIPTION

DRAWING DESCRIPTION  
**ENVIRONMENTAL FEATURES MAP**

  
**SCALE (FEET)**  
 0 400 800  
PLANS PRINTED AS 11X17 ARE HALF SCALE  
SCALE SHEET NUMBER  
 H:1" = 400' C3.3



- Legend**
- Project Boundary (Maximum Extents) - 1,412 Acres
  - Parcel Boundary
  - Wetland
  - Floodplain
  - Stream
  - Resource Protection Area



**TIMMONS GROUP**  
 YOUR VISION ACHIEVED THROUGH OURS.  
 1001 Boulders Parkway, Suite 300  
 Richmond, VA 23225  
 TEL 804-200-6500  
 www.timmons.com

**OPEN ROAD**  
 RENEWABLES

PROJECT NAME & LOCATION  
**WALLER SOLAR**  
 LANCASTER COUNTY,  
 VIRGINIA

DATE: 06/18/2021  
 PROJECT NUMBER: 38786.008  
 PROJECT NAME: WALLER SOLAR  
 DESIGNED BY / DRAWN BY: L. WHEELER

**NOTES**  
 Parcel Boundary has been ALTA surveyed.  
 Site layout is for design purposes only. Not for construction.  
 Wetlands, streams, and RPAs have been delineated by Timmons Group and have been confirmed by the ACOE under NAO-2021-00432.  
 Floodplain data from FEMA's National Flood Hazard Layer.  
 Aerial Imagery from VGIN.

These exhibits and associated documents are the exclusive property of TIMMONS GROUP and shall not be used for any purpose whatsoever, inclusive, but not limited to construction, bidding, and/or construction taking without the express written consent of

**REVISIONS**

#	DATE	DESCRIPTION

DRAWING DESCRIPTION  
**ENVIRONMENTAL FEATURES MAP**

**SCALE (FEET)**

0 400 800  
 PLANS PRINTED AS 11X17 ARCH HALF SCALE  
 SCALE SHEET NUMBER  
 H:1" = 400' C3.4